

DL-108/DL-1083

120V Line Voltage

8" Square Type Housing For Incandescent

Catalog #		Type
Project		Date
Prepared by		

INCANDESCENT

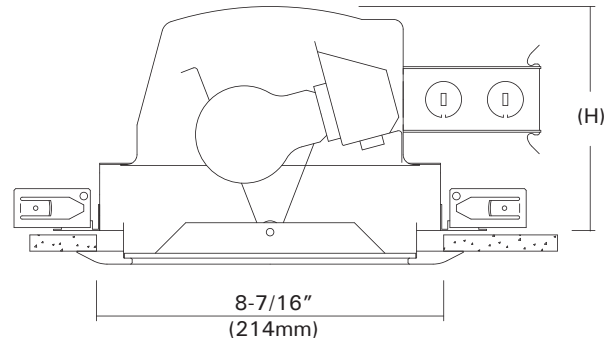


DESCRIPTION

The DL-810 is an 8" square aperture housing for use with max 100W A19 incandescent lamps. The DL-810 is a shallow 3-1/2" depth square housing for use with max 75W A19 incandescent lamps.

APPLICATION

The DL-810 & DL-1083 are designed for use in both non-insulated and insulated ceilings. Insulation material must be kept a minimum of 3" from all sides of the housing.



DESIGN FEATURES

◦ Housing

- White painted steel housing.
- (C) height allows use in 2"X6" joist construction.
- Housing adjusts for ceilings up to 1-1/4" thick.

◦ Junction Box

- Listed for through branch circuit wiring. (Max. 8 No 12 AWG 90°C branch circuit conductors. (4 in, 4 out))
- (5) 1/2" knockouts with true pry-out slots and (4) knockouts with Romex cable clamp.
- Ground wire provided on J-box.

◦ Mounting Frame

- Galvanized steel construction.

◦ Bar Hangers

- Maximum extension of 24" allows for extra distance between joists.
- Housing can be positioned at any point within 24" joist span.
- Score lines allow "toolless" shortening for 12" joists. Bar hangers may be repositioned 90 degrees.
- Integral T-bar clips snaps onto T-bars and no additional clips are required.

◦ Just-A-Nail

- Pre-installed nail bars with vertical slots are used to evenly align the bars horizontally after nailing halfway into wood joists.

◦ Socket

- Medium base porcelain with nickel-plated copper screw shell.
- Snaps into bracket for consistent lamp positioning.

◦ Lamp

- DL-108 - Max. 100W A19 lamp.
- DL-1083 - Max. 75W A19 lamp.

◦ Thermal Protector

- Self-resetting thermal protector in the housing deactivates fixture if overheating occurs due to improper lamping or insulation.

* Listing

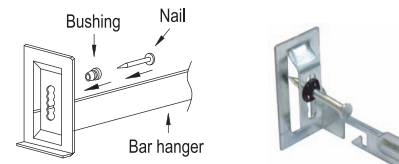
- UL, c-UL listed for damp location.
- UL, c-UL listed for feed through.

Ceiling Cut-out : 8-1/16" S.O
Lamp, Max, Watt. : 100W A19 (DL-108)
75W A19 (DL-1083)

	DL-108	DL-1083
H	5-7/16" (138mm)	3-1/2" (89mm)

◦ Just-A-Nail

Adjustable nail hanger bar for easy alignment.



JUST-A-NAIL

◦ Optional "Quick Connect" Push-in wire connectors.

- Three "Quick Connectors"
- Pre-installed push-in wire connectors for fast and easy wiring.

Trims



White Square Trim w/ Etched Glass Lens
Frame : 9-3/8" x 9-3/8"

TMS-12-WH